

ABLOY[®] EL460, EL461, EL560, EL561
Europrofile handle controlled locks



New Europrofile locks can be installed with long plates or roses.

FUNCTION

Handle controlled locks can be set to function as fail locked or as fail unlocked. In the fail locked setting, the lock can be opened by handle when power is on, and it can not be opened by handle, when power is off. In the fail unlocked setting, the electrical function is the opposite.

ABLOY® EL560 and ABLOY® EL460

Only outside handle is electrically controlled. The lock can always be opened by inside handle. Mechanical opening by cylinder is always possible.

ABLOY® EL561 and ABLOY® EL461

Both inside and outside handles are electrically controlled. Mechanical opening by cylinder or thumbturn is always possible.

APPLICATION

The locks are recommended to be used in the interior doors of business premises, public buildings, hospitals, educational premises etc. Typical applications are the doors of:

- Offices
- Meeting rooms
- Storage rooms
- Technical maintenance rooms
- Consulting rooms
- Fire doors (medium traffic)

EL560 and EL561 are used in wooden and metal doors. EL460 and EL461 are used in narrow profile doors. EL560 or EL460 with split spindle is chosen, when exit by handle is needed. EL561 or EL461 is chosen, when both access and exit are electrically controlled.

Handle controlled locks are best suited in medium traffic doors. The locks can be electrically controlled by access control system or by a remote control system such as timer, keypad or push button.

The locks can be used both in exit and fire rated doors (EN). The locks are not suitable to be used with door automatics.

Also available:

- Microswitch locks
 - EL360 for wooden and metal doors
 - EL260 for narrow profile doors
- Mechanical locks
 - EL160 for wooden and metal doors
 - EL060 for narrow profile doors

Also available lock cases for Swiss cylinder (RZ):

- EL562 (split spindle), EL563 (through spindle) for wooden and metal doors
- EL462 (split spindle), EL463 (through spindle) for narrow profile doors
- EL362 microswitch lock for wooden and metal doors
- EL262 microswitch lock for narrow profile doors
- EL162 mechanical lock for wooden and metal doors
- EL062 mechanical lock for narrow profile doors

STANDARD DELIVERY

Lock case is delivered as fail locked and its opening direction (handing) is 4 (split spindle) or 2.4 (other models).

Standard delivery includes:

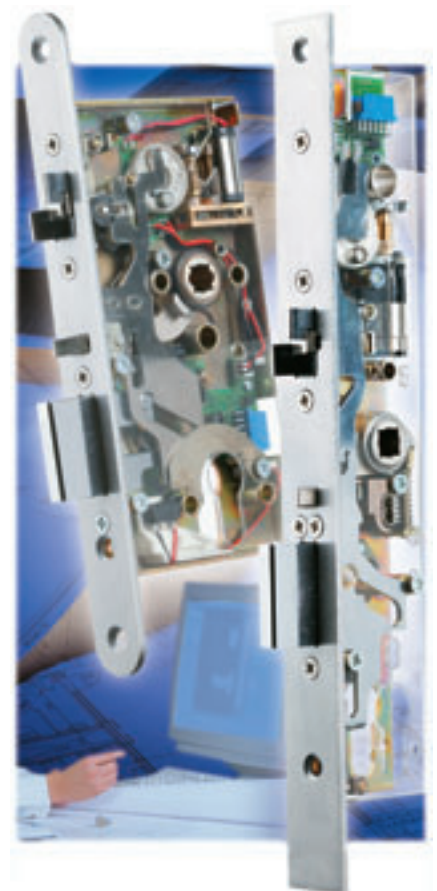
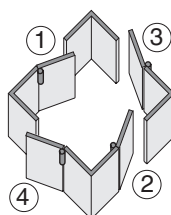
- Lock case
- Fixing screws etc
- Spindle adapters
- Installation manual

Please specify when ordering:

- Lock type
- Backset
- Forend
- Strike plate

OPENING DIRECTIONS

	ABLOY	DIN
①	Right inwards	Left inwards
②	Left inwards	Right inwards
③	Left outwards	Left outwards
④	Right outwards	Right outwards



STANDARDS

EN STANDARDS

EN 179:1997 + A1:2001	Exit
EN 1125:1997 + A1:2001	Panic exit
EN 1634-1	Fire resistance
EN 61000-6-1:2001	EMC
EN 61000-6-3:2001	EMC
EN 12209	Mechanical resistance

LOCAL STANDARDS

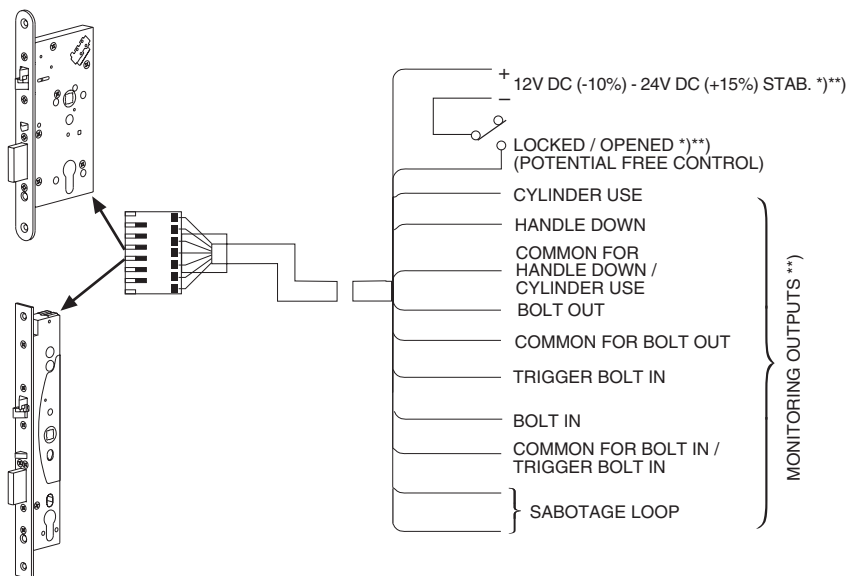
NEN 5089:1995	SKG, mechanical strength and burglary resistance
---------------	--

GOST-R

TECHNICAL DETAILS

Operating voltage:	12 – 24 V DC STAB (-10%, +15%)
Current:	Max. 0.55 A (12V DC), 0.27 A (24V DC), less than a second Idle 0.24 A (12V DC), 0.11 A (24V DC)
Micro switches:	Max. 0.5 A 30 V AC/DC resist, 10 W
Operating temperature:	-20°C - +60°C
Bolt throw:	20 mm (deadbolt), 10 mm (double action bolt)
Backset:	55, 60, 65, 80, 100 mm (EL560, EL561) 30, 35, 40, 45 mm (EL460, EL461)
Forend:	20, 24 mm (EL560, EL561) 24, 28 mm (EL460, EL461)
Spindle:	9 mm (8 mm with spindle adapters)
Settable functions:	Mechanical functions: - Handing of trigger bolt - Electrically controlled side (EL560, EL460) Electrical function: - Fail locked / Fail unlocked
Monitoring outputs:	Bolt deadlocked Bolt inside the lock case Trigger bolt in Handle used Cylinder used Cable sabotage

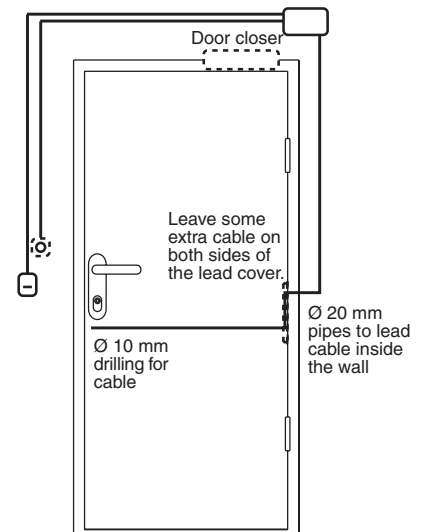
CONTROL PRINCIPLE AND AVAILABLE MONITORING OUTPUTS



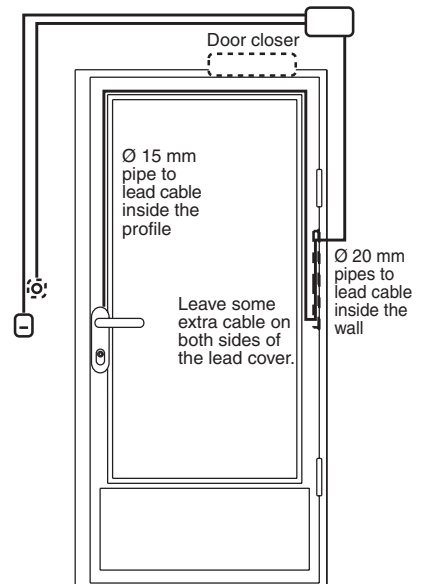
*) Not microswitch or mechanical locks
**) Not mechanical locks

DOOR ENVIRONMENT

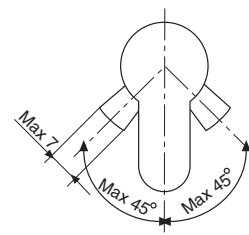
Wooden and metal doors



Narrow profile doors



CAM ANGLE



CYLINDERS, FITTINGS AND ACCESSORIES (please order separately)

	EUROPROFILE DIN CYLINDERS		FITTINGS	CABLES	LEAD COVERS	STRIKE PLATE
	ABLOY PROTEC	ABLOY DISKLOCK PRO				
Single	CY303N, CY313N CY307N, CY317N	CY303D	ABLOY*) IKON Ruko BEZAULT others	EA218 (6m) EA219(10m)	EA280 EA281	EA321**) EA322 EA323**) EA324 EA325 EA326 EA327 EA328 EA329 EA330 EA331 EA332**)
Double	CY304N, CY314N CY308N, CY318N	CY304D				
Single with thumbturn	CY305N, CY315N CY309N, CY319N	CY305D				

*) For further information, please contact Abloy Oy Tampere factory.

**) Handing must be defined.

Please note that the split spindle is not included in the lock case package.

