

# **ABLOY® EL502**

## ELECTROMECHANICAL LOCK FOR WOODEN DOORS

### SCANDINAVIAN RANGE



Electromechanical lock case **ABLOY® EL502** with new double action bolt construction combines user friendly function with durability.

## TECHNICAL DETAILS

Operating voltage	12-24 VDC (-10%/+15% , stab.)
Current consumption	max 550 mA (12 VDC) idle 240 mA (12 VDC) max 270 mA (24 VDC) idle 110mA (24 VDC)
Temperature range	-20°C...+60°C
Bolt throw	14,5 mm
Backset	50 mm
Forend	22 mm

## FINISH

Chrome plated forend

## CYLINDERS

- Scandinavian oval and round cylinders;  
**ABLOY® DISKLOCK PRO**, **ABLOY® PROTEC**, ASSA, RUKO, TrioVing or other.
- Finnish type; **ABLOY® CLASSIC**, **ABLOY® DISKLOCK PRO**, **ABLOY® PROTEC**

## PACKAGE

Lock case, connection plugs, fixing screws, lock case manual

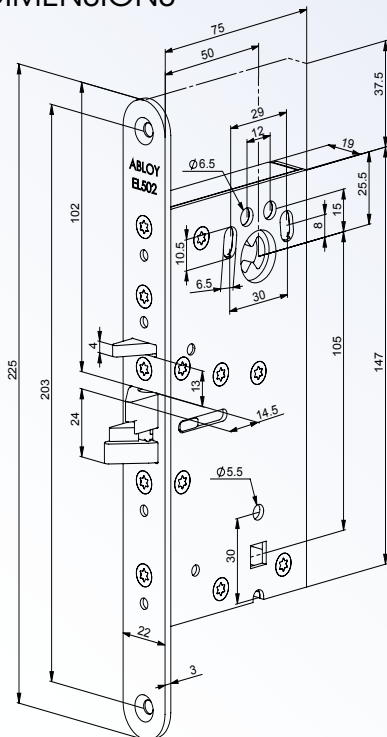
## MONITORING

Deadlocking status of double action bolt

## STANDARDS

- EN 61000-6-3:2007 EMC
- EN 61000-6-1:2007 EMC
- EN12209 Mechanical resistance
- EN 179 Emergency exit

## DIMENSIONS



This document may not be used in the installation of a lock. Drilling and wiring diagrams and installation instructions are included in the lock case manual, which is included in each lock case package.

We reserve the right to make alterations to the products described in this leaflet.

## APPLICATION

**ABLOY® EL502** is typically used in the interior doors of business premises and educational buildings.

The locks include a special double action bolt for quick and easy use and offer a cost-effective way of electric locking that is highly advantageous in comparison to e.g. electric strike.

The locks can be controlled by a variety of electrical impulse generating equipment such as card reader keypad and timer. The locks can be connected to automatic swing door operators and are an excellent solution for access control systems. Because of its symmetrical trigger bolt, **ABLOY® EL502** can be used in swinging doors.

## FUNCTION

Door can be opened by pushing or pulling when electric control is switched on.

**ABLOY® EL502** can be configured to operate also fail unlocked, when the door can be opened by pushing or pulling when the electric control is switched off.

Lock can always be opened mechanically by key, thumbturn or push pad and it deadlocks automatically when the door closes.

New functional features

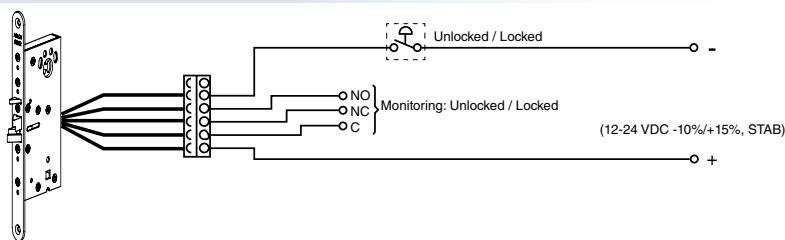
- Non-handed symmetrical trigger bolt
- Immediate release of deadlocking
- Configurable fail locked/ fail unlocked
- Wide operating voltage

**ABLOY® EL502** lock cases are not recommended for use in doors with seal force.

The lock can not be used in fire rated doors.

In swinging doors the lock may be locked only when the door has completely stopped in the closed -position.

## WIRING PRINCIPLE



## CYLINDERS

C = **ABLOY® CLASSIC**, D = **ABLOY® DISKLOCK PRO**, N = **ABLOY® PROTEC**

Single	CY001C, D, N	Finnish, w/ thumbturn
	CY013C, D, N	Finnish, w/ thumbturn
	CY028C, D, N	Finnish, w/ thumbturn
	CY016C, D, N *)**)	Finnish
	CY201D, N **)	Scandinavian oval
	CY203D, N **)	Scandinavian round
Double	CY002C, D, N	Finnish
	CY029C, D, N	Finnish
	CY062C, D, N	Finnish
	CY202D, N	Scandinavian oval
	CY205D, N	Scandinavian oval

\*) Compatible with emergency exit dome 6488

\*\*\*) Compatible to EN179 with push pad PPE004

## ACCESSORIES (Please order separately)

Push pad	PPE004	
Cable	EA211 (6m)	
	EA221 (10m)	
Lead cover	EA280	
	EA281	
Strike	LP711	EA307 (metal doors)
	LP714	EA308 (metal doors)
	LP721 (rebated)	4613 (metal doors)
	LP731 (rebated)	4614 (metal doors)



www.abloy.com

Abloy Oy  
Wahlforssinkatu 20  
P.O.Box 108  
FI-80101 JOENSUU  
FINLAND  
Tel. +358 20 599 2501  
Fax +358 20 599 2209

